



Installation instructions for PZ4AL-01157-00

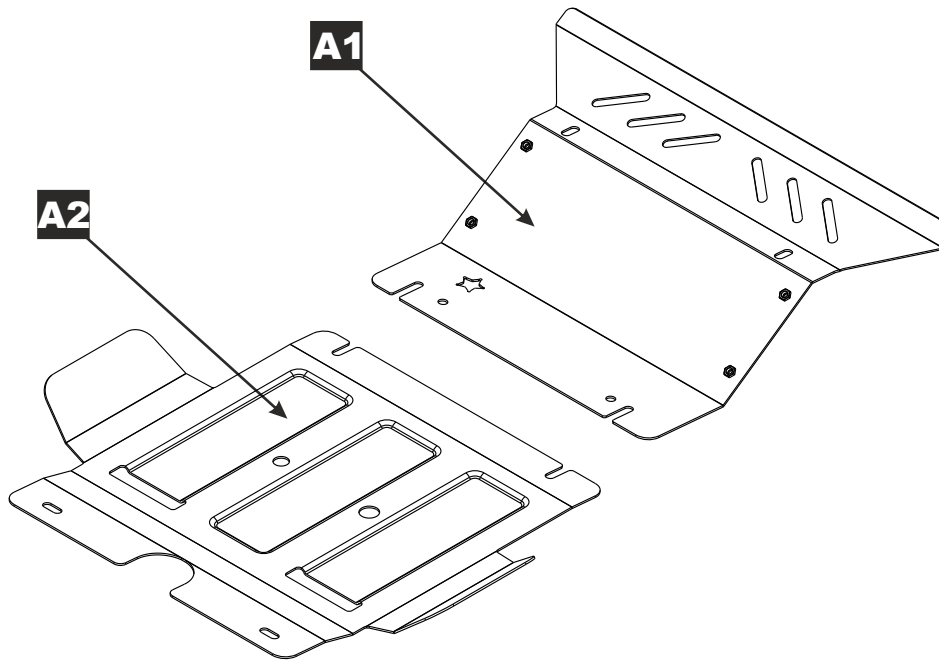
Under Run Protective Shield Engine Bay

TOYOTA Hilux



Model Year:	2006-2010-
Vehicle Code:	KUN25L-DRMDHW KUN25L-DRMSHW KUN25L-PRMSHW
Part Number:	PZ4AL-01157-00
 Weight:	10.66 kg
 Installation Time:	30 min
Manual reference number:	AIM 001 427-0

Part number: PZ4AL-01157-00



PZ4AL-01157-60

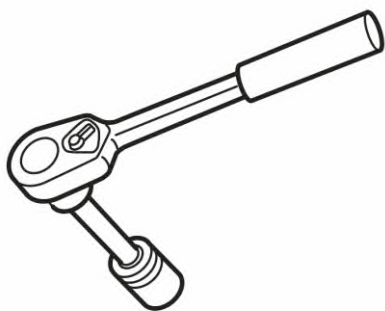
B1



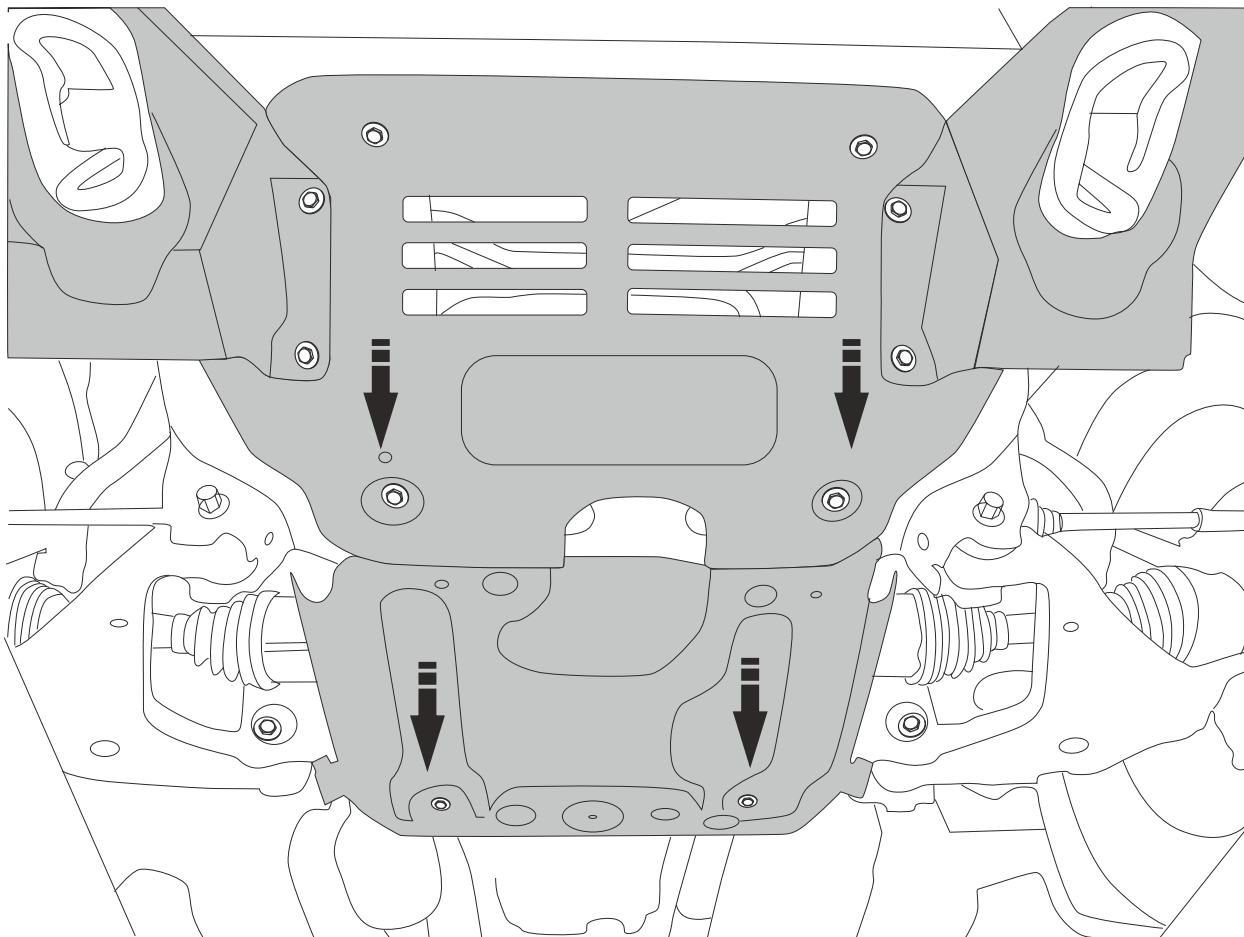
B2



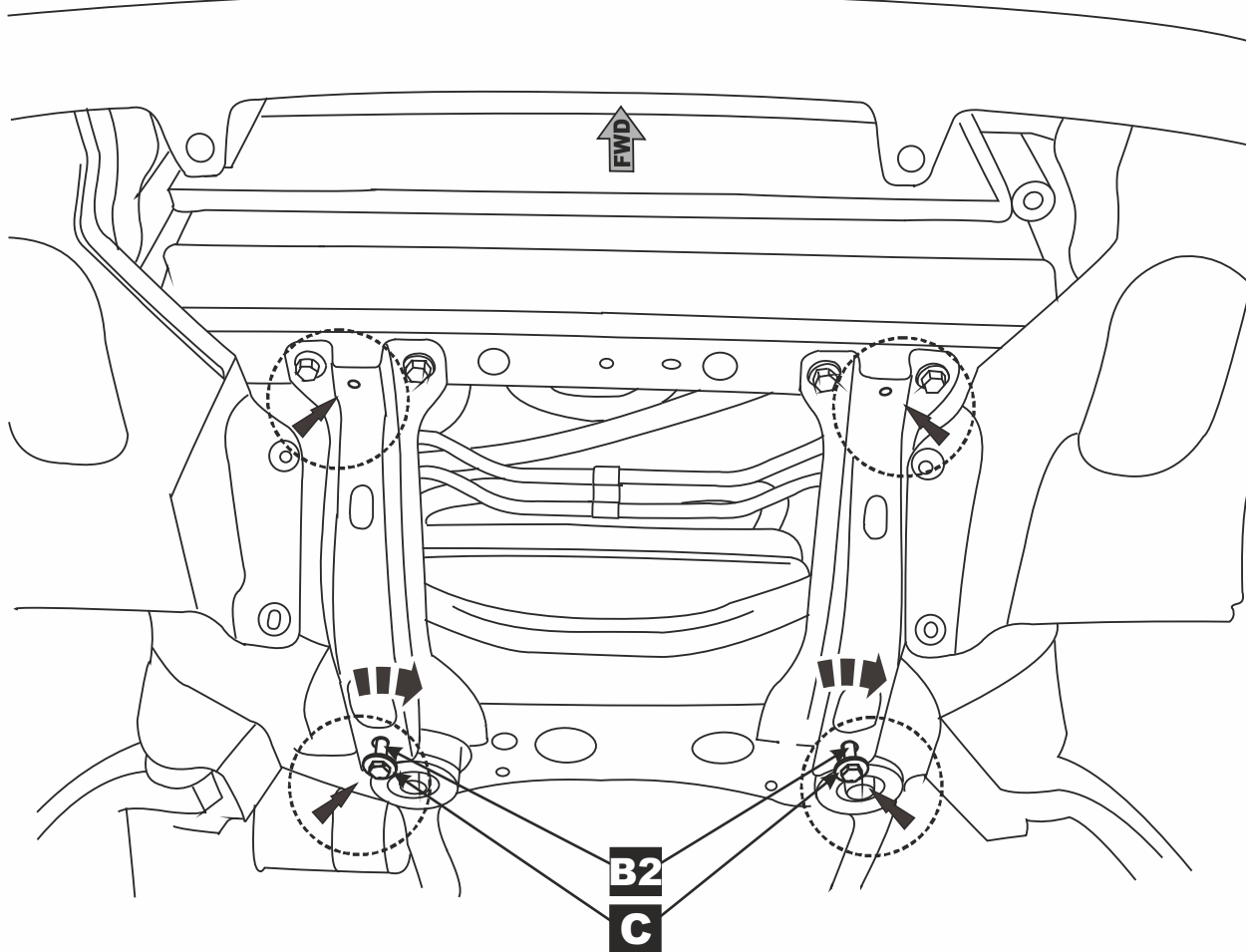
C



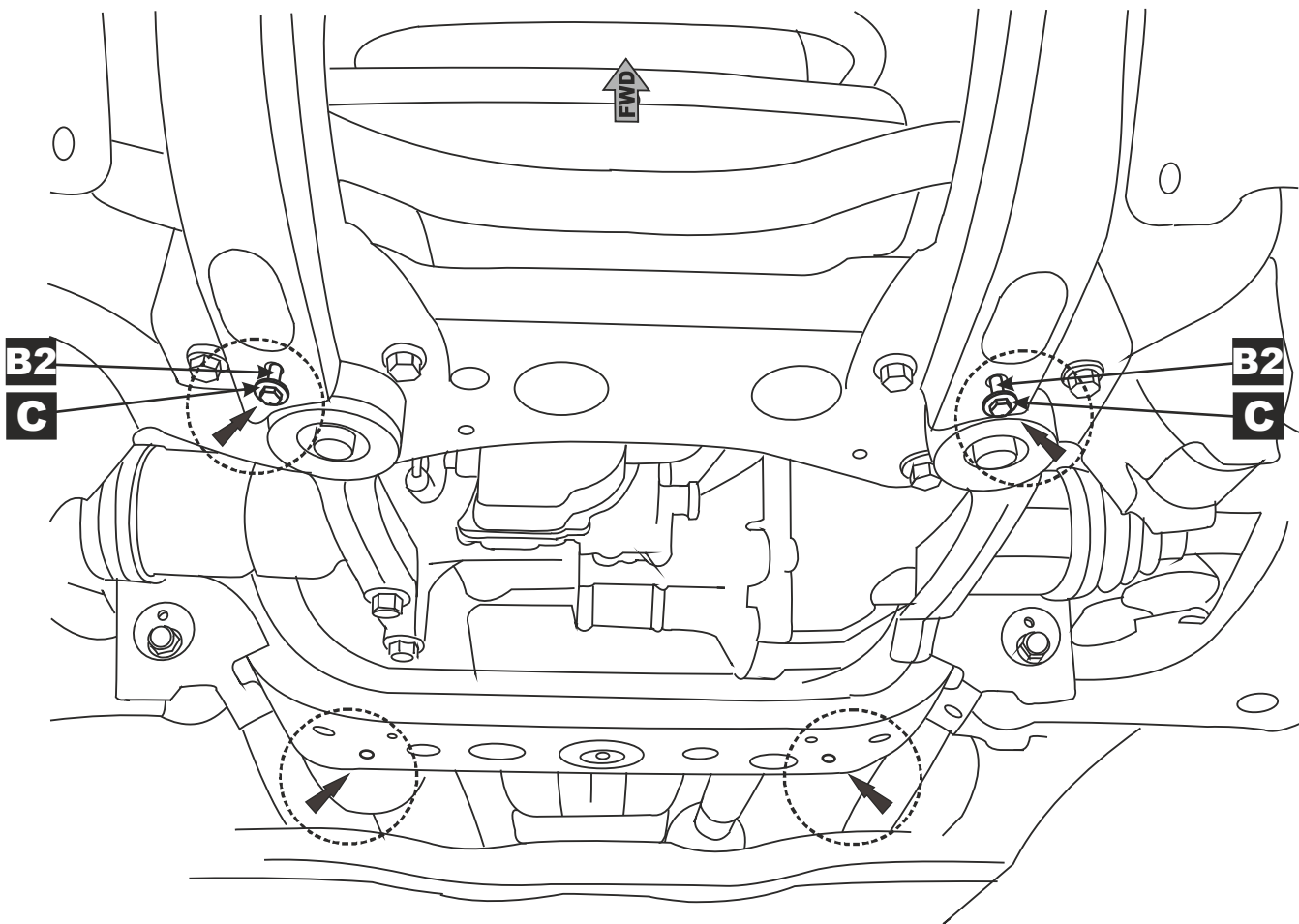
1



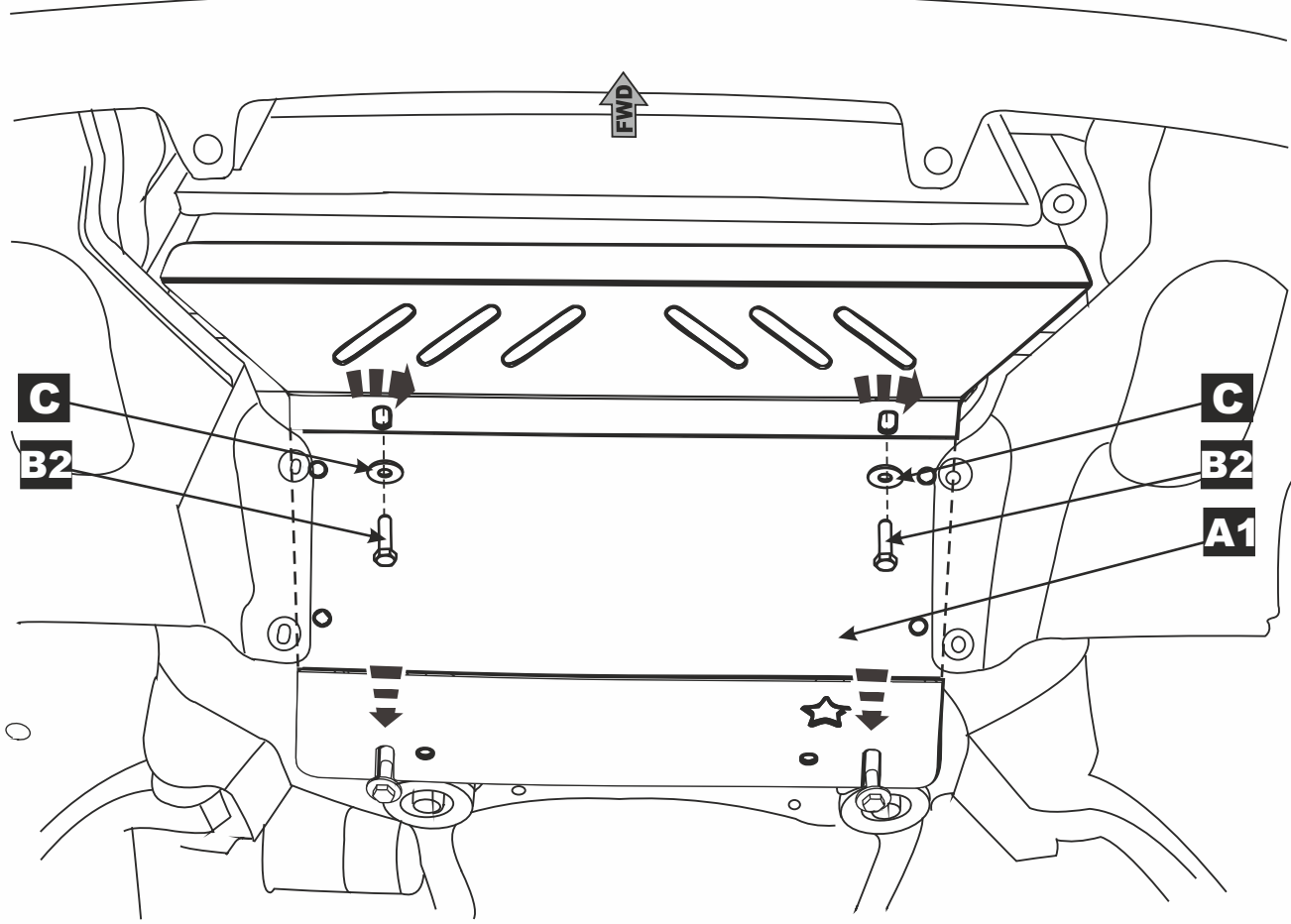
2



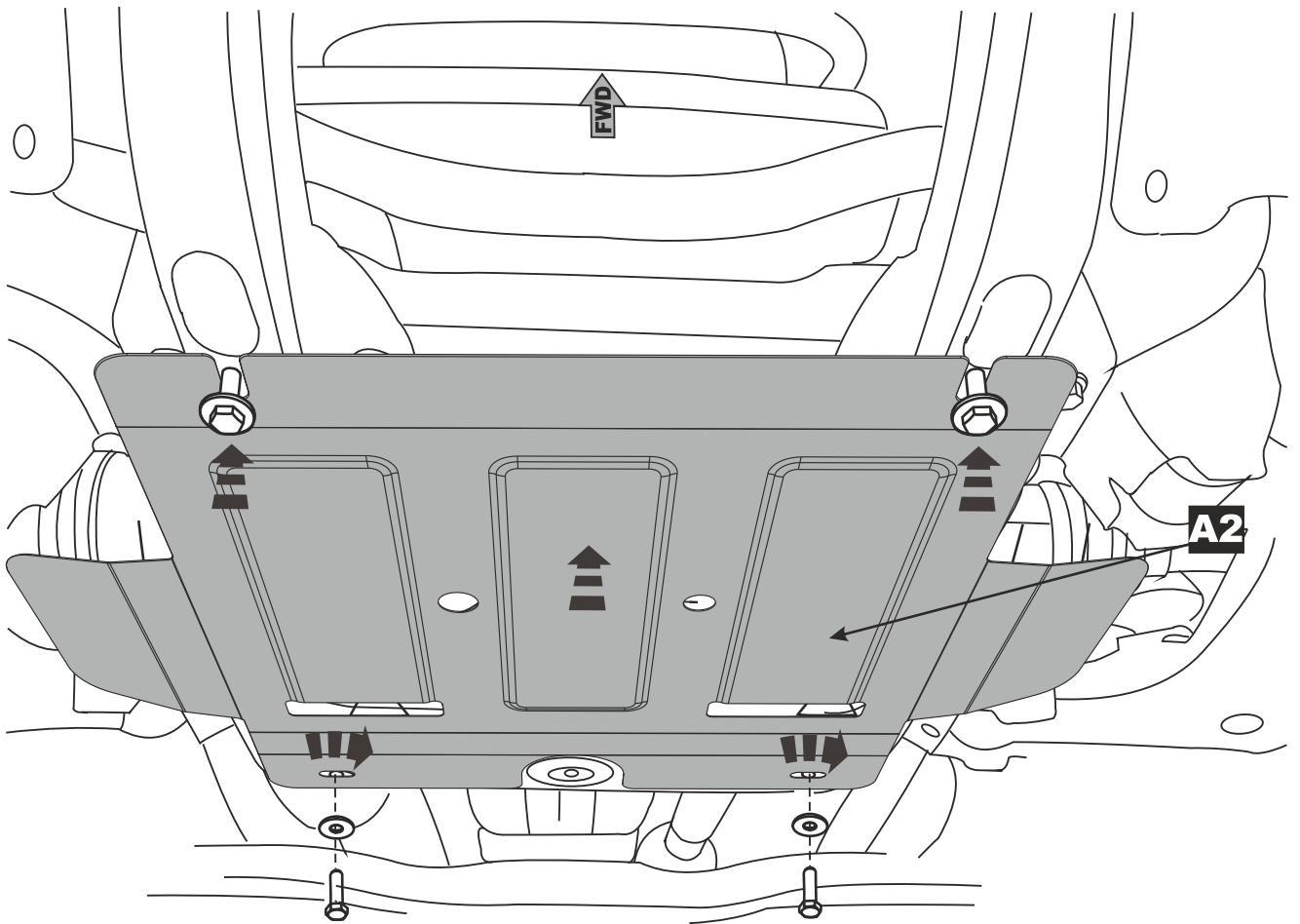
3



4



5



6

